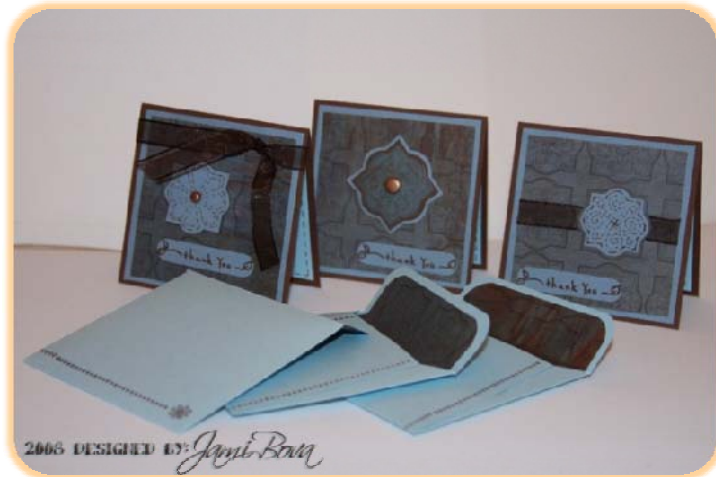


envelopes for 3"x3" cards tutorial



Join me on my creative journey

Jami



ENVELOPES FOR 3" X 3" CARDS

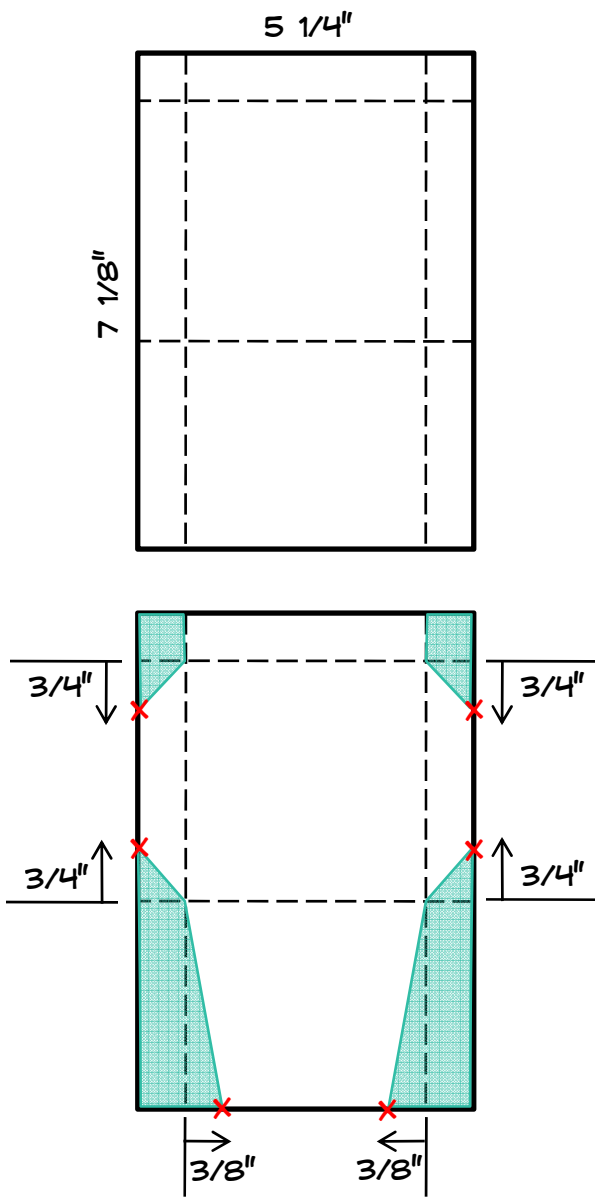
A tutorial by Jami Bova

May 2008

SUPPLIES

- One sheet of cardstock or heavy weight paper (You can get two envelopes from one sheet!)
- 3" square of print paper (coordinating with card) for envelope liner
- Scoring tool (bone folder and ruler, score-pal, etc)
- Sticky tape, glue or other adhesive.

INSTRUCTIONS

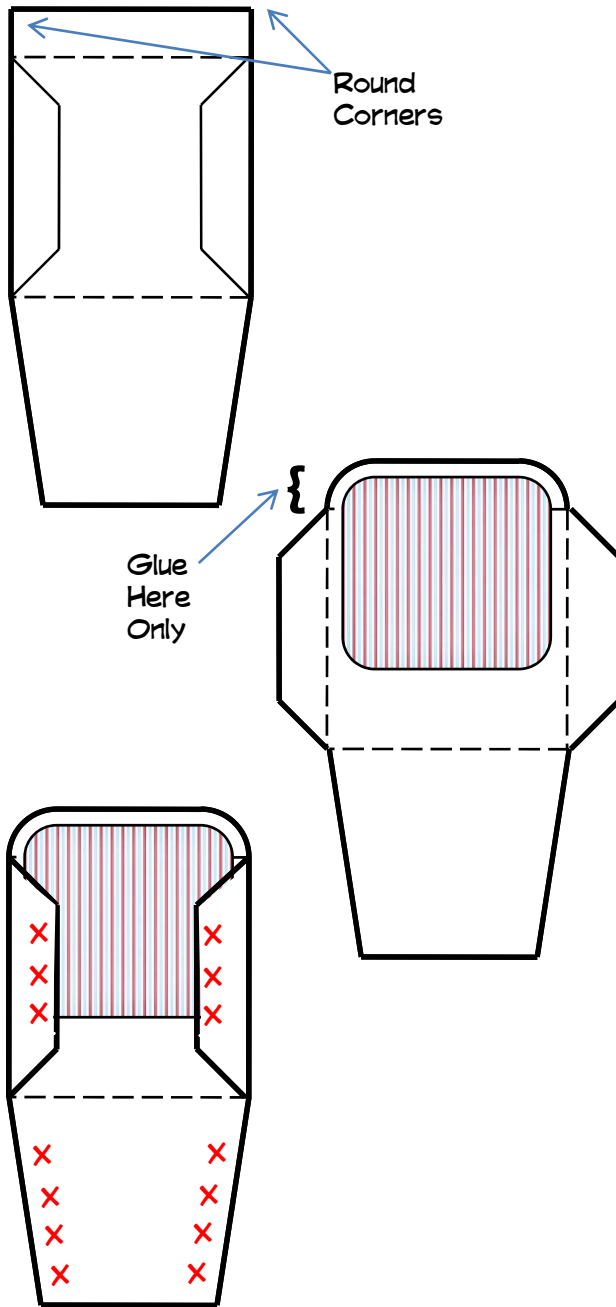


1. Cut cardstock or paper to 5 1/4" x 7 1/8"
2. Score paper at 1", then again at 4 1/4"
3. Turn paper 90 degrees (either direction) and again score at 1", then again at 4 1/4"

*The score lines are shown as dashed lines in the image

4. Measure in 3/4" at the top and bottom of side tabs and make a small mark with a pencil (don't worry, this will be on the inside of the envelope when folded)
5. Measure in 3/8" at the left and right of the bottom flap and make a little mark again
6. Connect the marks as shown and cut off all of the shaded areas. I usually don't actually draw a line between the marks, I just eyeball it and "connect" with the scissors since the envelope is pretty small

Join me on my creative journey 
Jami



7. Fold in the sides so that you can use a corner rounder to trim the corners of the top flap. If you don't have a rounder, you can trim at a diagonal with scissors.
8. Open the side flaps back up
9. Round the top corners of the coordinating 3" square DP.
10. Glue liner only at top above the score line. This allows for some movement so the liner won't "bubble" when folded.
11. Fold in side flaps of envelope and apply sticky tape or glue where shown by the X's
12. Apply sticky tape to bottom fold where shown by the X's, and fold up to adhere to side flaps.
13. Decorate and/Stamp as desired
14. Enjoy!!

The finished envelope measures 3 1/4" X 3 1/4". This cannot be mailed via USPS (I tried), but is terrific for hand delivered cards or attached to a gift.



Join me on my creative journey 
Jami